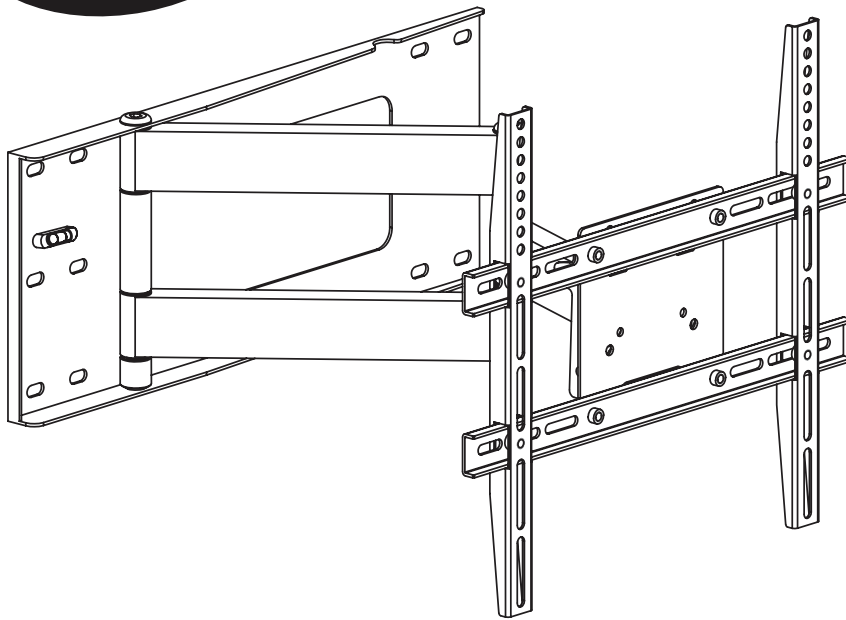


Swiveling, Tilting, Rotating Flat Panel Wall Mount

Installation Guide

Model: EXA800TC



- Easy installation
- Built-in level for easy positioning
- Easy to adjust tilt angles: +5 to -15 degrees
- +5 to -5 degree rotation adjustment
- 180 degree left to right swivel range



- Support most 32"- 80" Flat Panel TVs
- Maximum weight capacity: 99 lbs.
- Supports VESA Sizes up to 800X400

**For technical assistance or troubleshooting
please call 1-855-994-3832.**



This product Wall Mount frame is intended for use only with an apparatus which has a maximum weight of 99 lbs. See apparatus instructions. Using with an apparatus heavier than the maximum weight indicated may result in instability and cause possible injury.

READ THIS FIRST Read this entire manual! Do not attempt to install this product if you do not understand the instructions. Contact a qualified mount installer if you have any doubts about a safe and secure mount installation, or if you are not sure what specific wall materials you are attaching this mount to. Check all the parts carefully to make sure there are no missing or damaged parts. Improper installation may result in damage to your TV, property, and personal injury.



This product is intended only to mount a television of the indicated size and weight. Using this product to mount televisions heavier than the maximum weight capacity can damage equipment and cause personal injury.

Schoenfeld International Inc. and ETEC are not responsible for personal injury or product damage due to mishandling, incorrect mounting, incorrect assembly, or incorrect use of this product.



CHILD SAFETY

How and where you use your television wall mount is extremely important for Child Safety. As you set up and use your new product, keep all of these safety tips in mind.

- One size of TV wall mount does not fit all TVs. Use only a TV wall mount rated for the weight of your TV and the size of your screen. Your TV wall mount assembly instructions contains specific information on the maximum weight and screen size combination that your wall mount can safely support. Do not exceed the maximum weight of screen size for any TV wall mount.
- Carefully read all of enclosed instructions for proper use of this product. If you have any doubts about safe and secure assembly, please contact a professional.
- Don't let children climb on or play with mounts or TVs.
- Remember that children can become excited while watching a program, especially on a "larger than life" TV. Make sure to place or install the TV wall mount where it cannot be pushed, pulled on, or knocked down.
- Make sure that you route all cords and cables so that they cannot be pulled or grabbed by curious children.



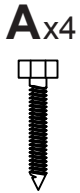
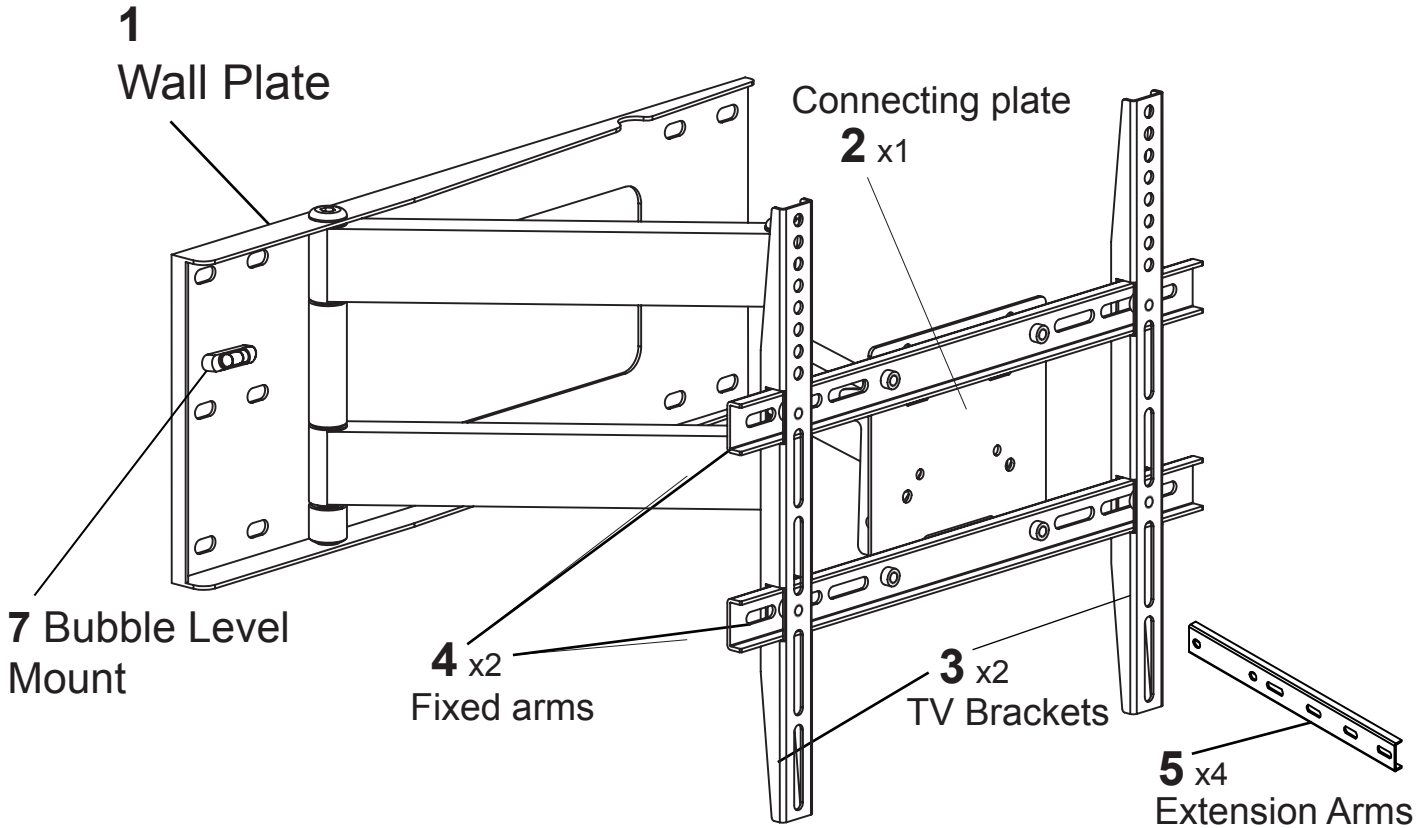
Always wear safety goggles to when drilling or installing hardware.

Tools

For your convenience, we have included an allen wrench and a socket tool with this mount. For the best assembly experience and mounting safety, we always recommend using full-size tools for each assembly steps.

Below is a recommended tool list you will need for proper and safe installation. See applicable warnings in this manual about certain types of mounting surface materials and the special hardware and tools that should be used.

- Drill with a specific size drill bit to pre-drill holes in the wall
- Stud finder
- Tape measure
- Pencil
- Screw drivers
- Socket wrenches
- Small hammer
- Safety goggles



Long bolt



Concrete Anchor



Long bolt washer



Large Fixed Arms

ID	Qty	Description
D	4	M4x20mm bolts
E	4	M4x30mm bolts
F	4	M5x20mm bolts
G	4	M5x30mm bolts
H	4	M6x25mm bolts
I	4	M6x40mm bolts
J	4	M8x25mm bolts

ID	Qty	Description
K	4	M8x45mm bolts
L	4	M4/M5 washers
M	12	M6/M8 washers
N	4	M4/M5 spacer
O	4	M6/M8 spacer
P	1	Allen wrench
Q	1	Socket tool
U	16	M8 x 14mm bolts

The actual appearance and quantity of parts may be different than shown in the illustration. Consult the table for actual quantities.

Step 1: Attach the left and right brackets to your TV



Do not force the bolts into the mounting holes on your TV. Do not use an electric drill to tighten these bolts on your TV. This could damage the equipment or cause personal injury.

CAUTION: Do not place the TV face down on a hard surface when installing the mounting plate on the TV. Placing the TV face down on a hard surface can result in equipment damage. Use a blanket or other suitable surface.

Check your TV manual to confirm the required bolt diameter according to the size, depth, and position of the mounting holes in your TV.

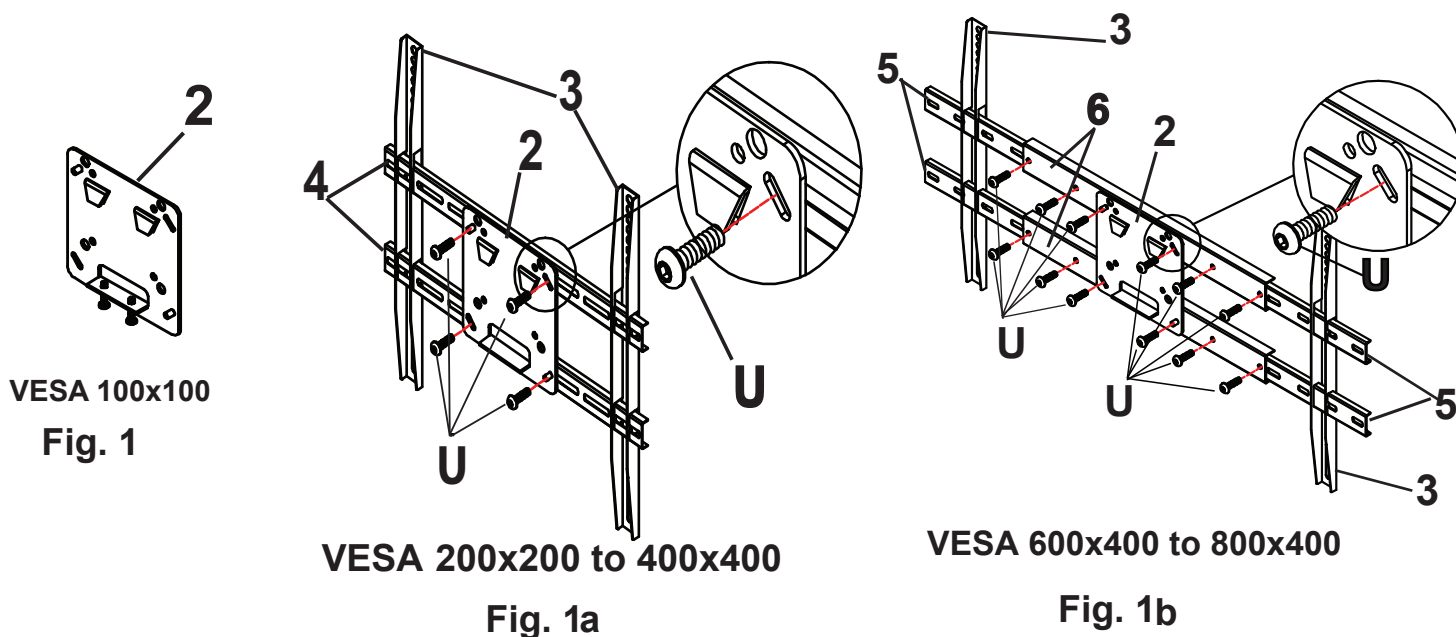
Building the Mounting Bracket structure to attach to the TV rear

The VESA pattern on the rear of your TV will determine the proper structure that must be built to attach to the rear of your TV. The following VESA patterns will require using the listed parts that follow to built the Mounting Bracket Structure.

VESA 100x100 – Use only the Connecting Plate (2) as shown in Fig 1

VESA 200x200 to 400x400- Use the Connecting Plate (2), two Fixed Arms (4), and two TV Brackets (3). Assemble as shown below in Fig.1a using bolts (U) and the Allen wrench (P). Make sure all screws are securely tightened.

VESA 800x400 / 600x400- Use the Connecting Plate (2), two Large Fixed Arms (6), four Extension Arms (5), and the two TV Brackets (3). Assemble as shown below in Fig.1b using bolts (U) and the Allen wrench (P). Make sure all screws are securely tightened.



Attach the TV Bracket to the rear of the TV

Check your TV manual to confirm the required bolt diameter according to the size, depth, and position of the mounting holes in your TV.

Attach the assembled bracket structure to the rear of your TV using the bolts, washers and spacers in accordance with the following:

If your television has a straight back, spacers are not required. Use the selected bolts (D-K), washers (L-M), and the Allen wrench (P) to attach the bracket structure to the rear of the TV as shown in Fig 1f. Make sure the bracket structure is properly aligned on the rear of the TV and then securely tighten the bolts. Do not over tighten.

If your television has a curved back, and the mounting holes are recessed (Fig 1d) spacers are required. Install the proper size spacers (N-O) between the TV rear and the bracket structure as shown in Fig 1e. Then use the selected bolts (D-K) washers (L-M) and the Allen wrench (P) to attach the bracket structure (with the spacers between the bracket and the TV) to the TV as shown in Fig 1f. Make sure the bracket structure is properly aligned on the rear of the TV and securely tighten the bolts. Do not over tighten.

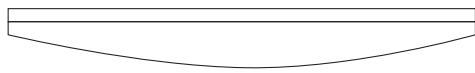


Fig. 1d

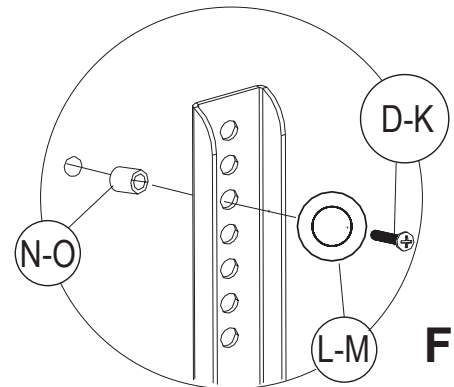


Fig. 1e

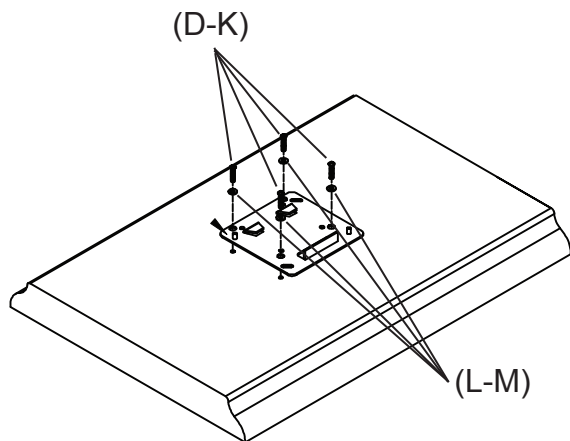
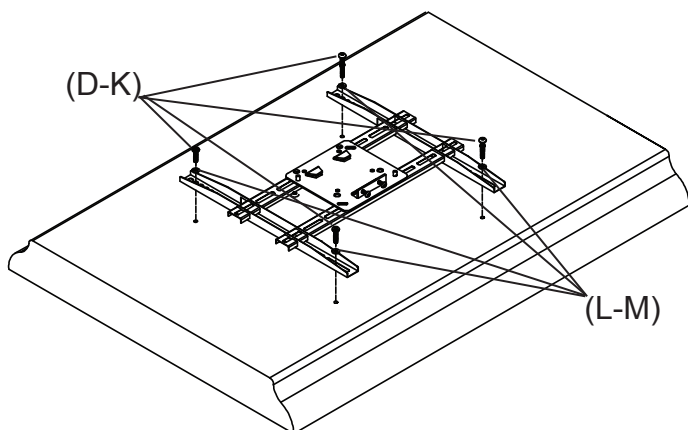
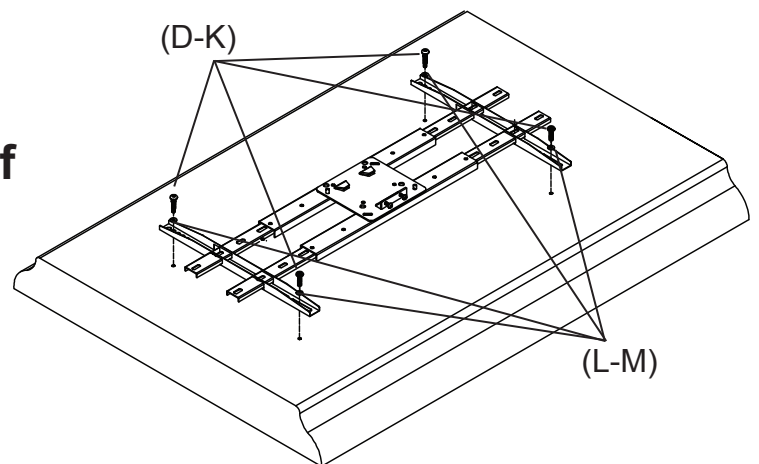


Fig. 1f



Step 2: Find and mark the best position for the wall mount on the wall.

The best viewing height is parallel to the eye level of a person sitting on a couch. Normally, this is about 4 feet above floor level (Fig. 3a).

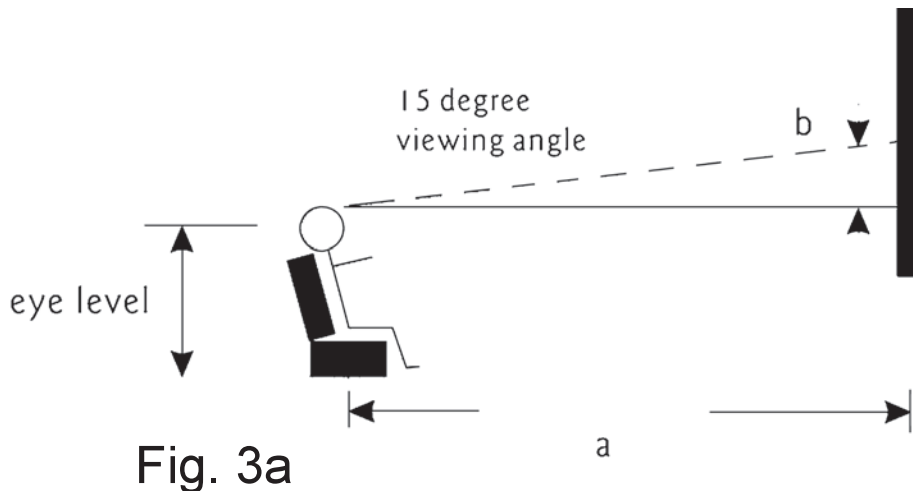
In addition to your eye level height when you are seated, the following two measurements will help you determine the perfect height for your wall-mounted television:

- The distance from your viewing location to the wall.
- The vertical distance from eye level to the floor plus the distance from your viewing location to the wall when the viewing angle is 15 degrees.

For example:

- If distance 'a' is 5 to 7 feet (1.5 to 2.1 meters), distance 'b' is about 1 foot (0.3 meter)
- If distance 'a' is 8 to 13 feet (2.4 to 4 meters), distance 'b' is about 3 feet (0.9 meter)
- If distance 'a' is 14 to 17 feet (4.3 to 5.2 meters), distance 'b' is about 4 feet (1.2 meters)

Add the eye level height plus 'b' to get the ideal height of the center of the television display.



Step 3: Attach the wall mount to the wall

After determining the ideal height on the wall for your television, follow the mounting instructions for your type of wall construction: wood stud or concrete walls.



Attaching this mount to wood studs or concrete walls requires special tools and hardware to ensure the mount is securely and safely attached to these materials. Concrete will break or crumble if special masonry drill bits and drill operating speeds are not properly used. Consult a professional if you are unsure or have any doubts about the safety of the installation. Personal injury or equipment damage can result if the mount is not properly installed.

Wood stud walls (Fig 3a)

1. Use a pencil, awl, or a nail to mark the location of the wall stud centers (Fig 3a) after locating the stud with an electronic stud locator. The distance between marks should not be less than 16 inches (Studs must not be less than 16 inches (40.6 cm)).
2. Place the wall mount flat against the wall with the center of the mount in the desired location, aligning the holes in the mount with the studs (Fig 3b). Use the wall plate as a template to mark the location of the four mounting holes on the wall. Make sure that the mounting holes are level and are parallel.
3. Use 3/16" (5mm) drill bit to pre-drill holes at least 2.5" inches (65mm) deep at the marked locations.
4. Use a Socket (Q), the four long bolts (A), and washers (C) to attach the wall mount to the wall. Do not use wall anchors in wood stud walls.
5. Use the magnet level (7) placed on the front of the mounting plate to level the wall mount, repositioning as necessary, then firmly tighten the bolts. Do not overtighten.

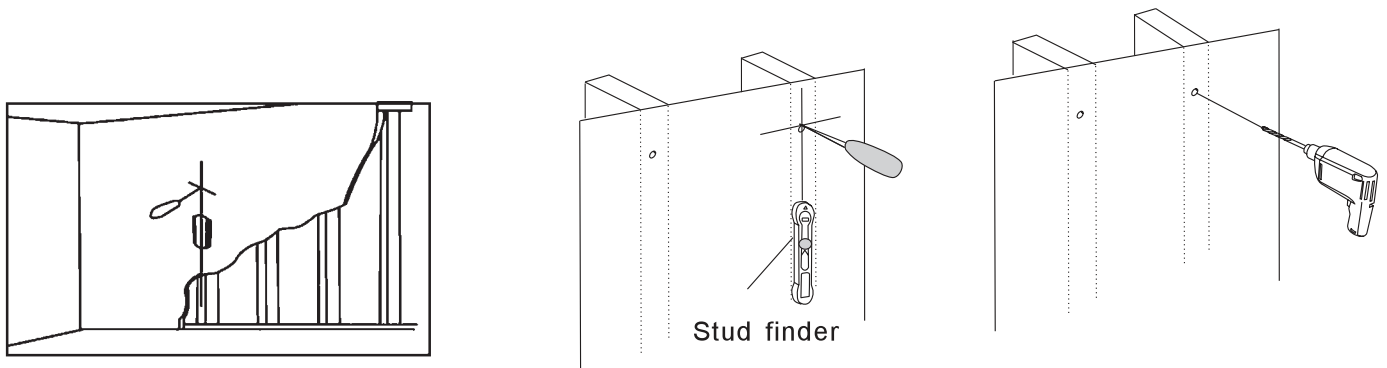
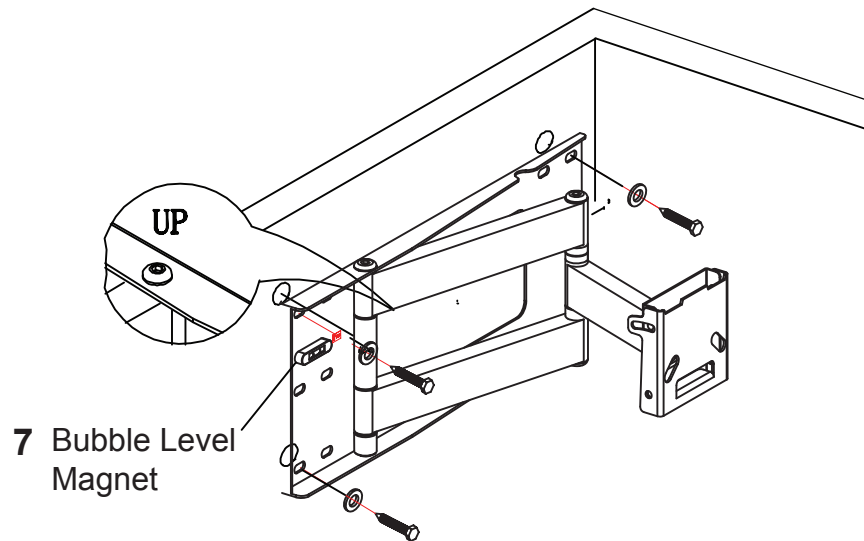
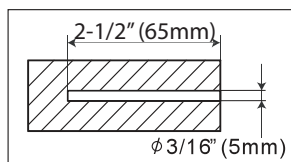


Fig. 3b



Concrete Walls:

1. Place the wall mount flat against the wall in the desired location. Use the wall plate as a template to mark the location of the four mounting holes on the wall. Make sure that the mounting holes are level and parallel. Make sure the horizontal holes are no closer than 16".
2. Use 3/8" (10mm) drill bit to pre-drill four holes at least 2.5" inches (65mm) deep (Fig 3d) at the marked locations.
3. Insert a wall anchor (B) into each pre-drilled hole and lightly tap it with a hammer until the wall anchor is flush with the wall.
4. Use a Socket (Q) the four long bolts (A) and washers (C) to attach the wall mount to the wall with the wall anchors (Fig. 3e).
5. Use the magnet level (7) placed on the front of the mounting plate to level the wall mount, repositioning as necessary, then securely tighten the bolts.

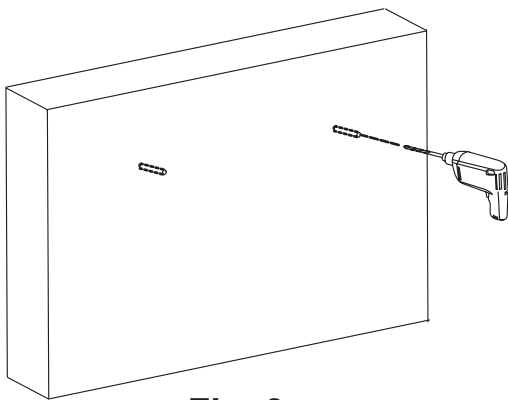


Fig. 3c

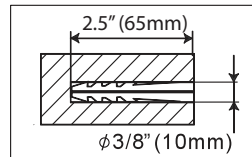
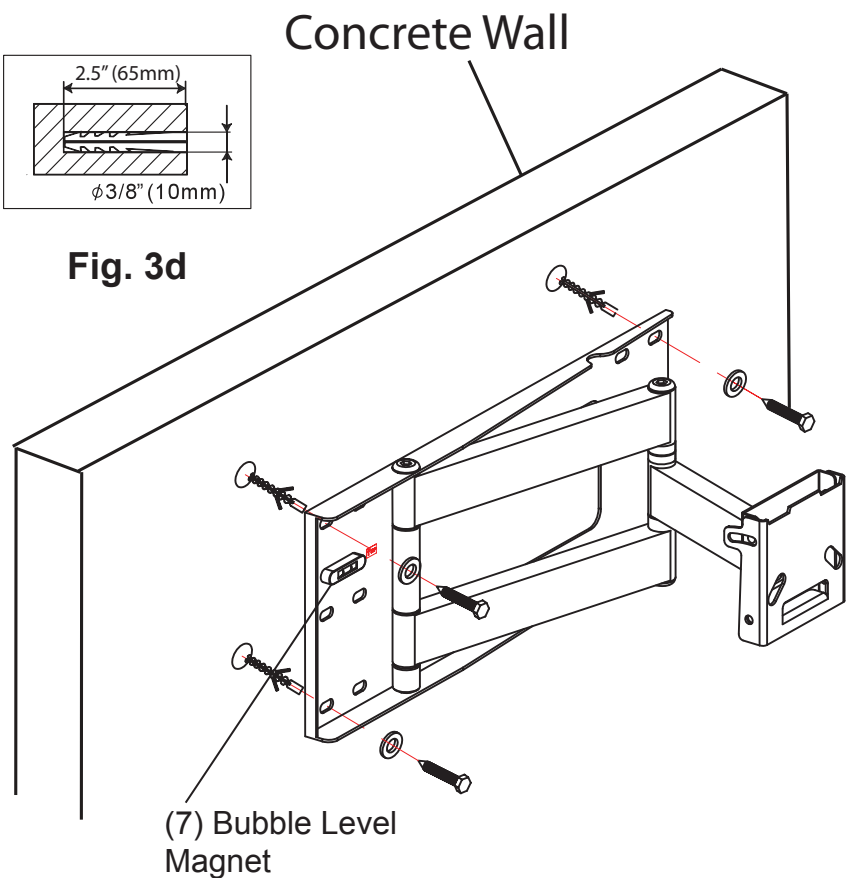


Fig. 3d



A large television requires two people to lift. Schoenfeld International Inc. and ETEC are not responsible for equipment damage or personal injury due to mishandling.

Do not release the TV until you are sure that it is securely mounted. Releasing the TV without first ensuring that it is securely installed can result in equipment damage or personal injury.

Step 4. Hang the Television Display

1. Lift the TV display with the bracket assembly securely attached with two people.
2. Hook the two tab hooks on the top of the Connecting Plate (2) over the two tab receivers on the front of the Wall Plate arm.
3. Tighten the two safety screws on the bottom of the Connecting plate (2) using the Allen wrench (P) to secure the TV to the mount arm on the Wall Plate (1) .

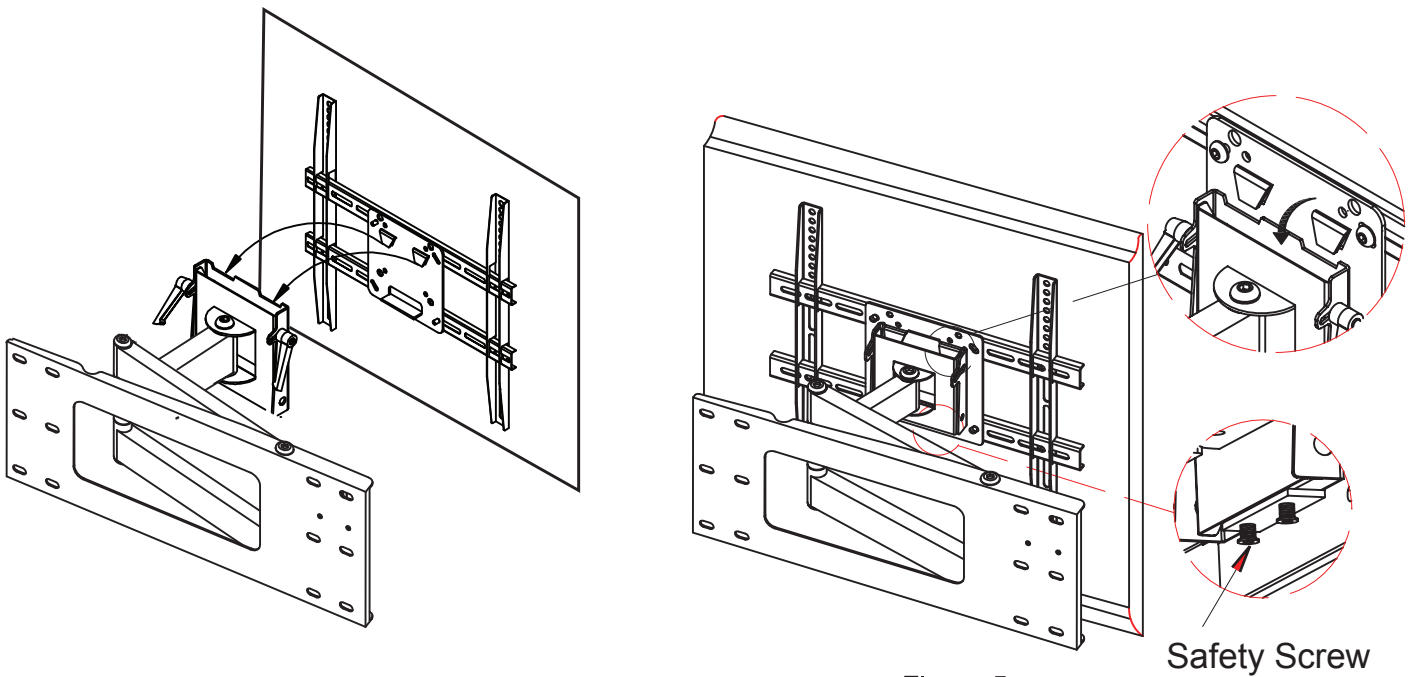


Figure 5

Step 5. Adjusting the Tilt

1. The Handles on the front of the Wall Plate mount arm are used to adjust the tilt angle of the TV to your desired angle.
2. These handles are tension levers. To loosen the tilt adjustment, turn the handle counter clock-wise until the handle hits the connecting plate and can turn no more. Then pull the handle away from the mount arm to release the spring as shown in Fig. 5b, and while holding the handle away from the mount arm, turn the handle clockwise and release the handle to again engage the spring. Now you can turn the handle further counter clock-wise to loosen the tilt adjustment more.
3. Loosen the other handle slightly and adjust the tilt to your liking and tighten the levers.
4. To tighten these spring loaded handles and lock in the tilt, turn the handles clockwise and when the handles can turn no further, pull each handle away from the mount arm and then turn the handle counter clock-wise and release. Now you can tighten handle further to lock in the tilt.

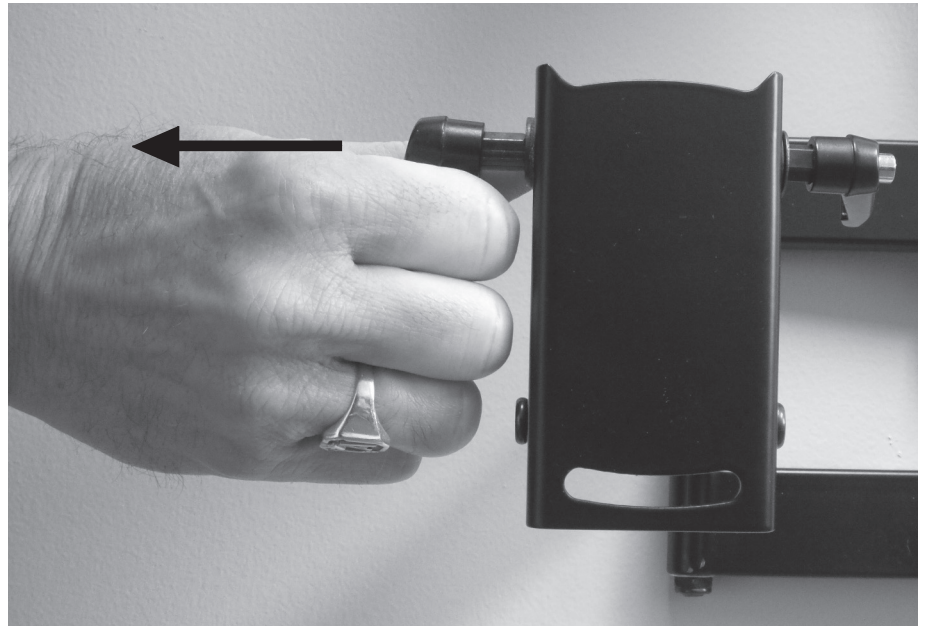
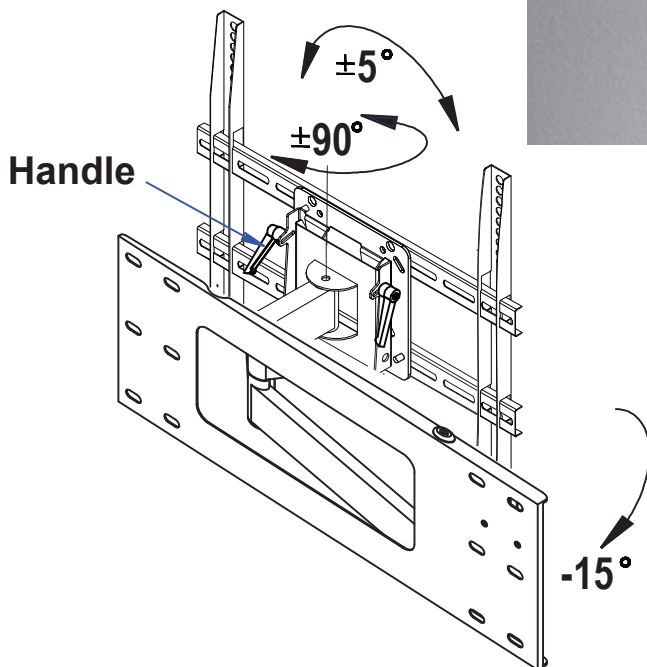


Fig. 5b





LIMITED SIX-YEAR WALL MOUNT WARRANTY

We warrant this product to you, the original purchaser at the time of purchase printed on a dated store receipt from an authorized ETEC retailer and for a period of six-years thereafter that our wall mount product and all its parts and components are free of defects in material and workmanship under normal use. This warranty is subject to the provisions below. ETEC's sole obligation and the purchaser's exclusive remedy pursuant to these warranties are limited to replacement at ETEC's sole discretion. There are no other warranties except as expressly set forth below either expressed or implied, including any warranty of merchantability for any particular purpose.

Should you be missing any of the assembly parts or components (screws, pieces, etc.), please contact the Customer Support Center to secure a replacement. It is not necessary to bring the unit back to the store. When calling, please reference the parts list found in the Instruction Manual to help us accurately identify the missing parts and promptly provide replacements.

Our Customer Support Center is available Monday to Saturday (10:00AM to 7:00PM EST) for technical assistance or troubleshooting. To contact us please call 1-855-994-3832.

This warranty is expressly limited to the replacement of wall mount parts and components described in the parts list located in the Instruction Manual included with the product.

This warranty applies under conditions of normal use.

This warranty does not cover: any product, which has been subject to damage due to improper assembly or disassembly, products which were not assembled, installed, used, or maintained in accordance with the product assembly instructions & warnings, acts of nature, misuse, neglect, accidents, abuse, exposure to elements, outdoor use, extreme temperature ranges, damage during transit, commercial use, modification of, or to any part of the product or attachments to the product not approved by ETEC. Also not covered are costs for assembly/dis-assembly labor, costs incurred in shipping the unit or parts for warranty repair/exchange or any products purchased from unauthorized ETEC sellers. Under no circumstances shall ETEC, be liable for any loss (direct, indirect, incidental, foreseen, unforeseen, special or consequential) or for any damage arising out of, or in connection with, the use of this product. Nor shall ETEC have any responsibility for incidental or consequential damages resulting from the breach of this warranty including but not limited to inconvenience, purchase or rental of replacement products, loss of profits or commercial loss.

We reserve the right to request damaged parts or units be shipped to our offices for inspection or confirmation of any warranty claims.

This warranty does not cover product sold 'As Is'.

This warranty is valid only to the original purchaser of the Product in the United States and Canada and grants specific legal rights.

Schoenfeld International Inc and ETEC

5001 American Boulevard West

Suite 275

Bloomington, MN 55437

©Schoenfeld International Inc. 2013

PN: EXA800TC Rev 1.3 October 2013